

To special order rotors not identifiable in our catalog please copy this page - fill in all details and fax to our technical department *Fax: (805) 671-5028*

Name: _____

Phone # _____

Address: _____

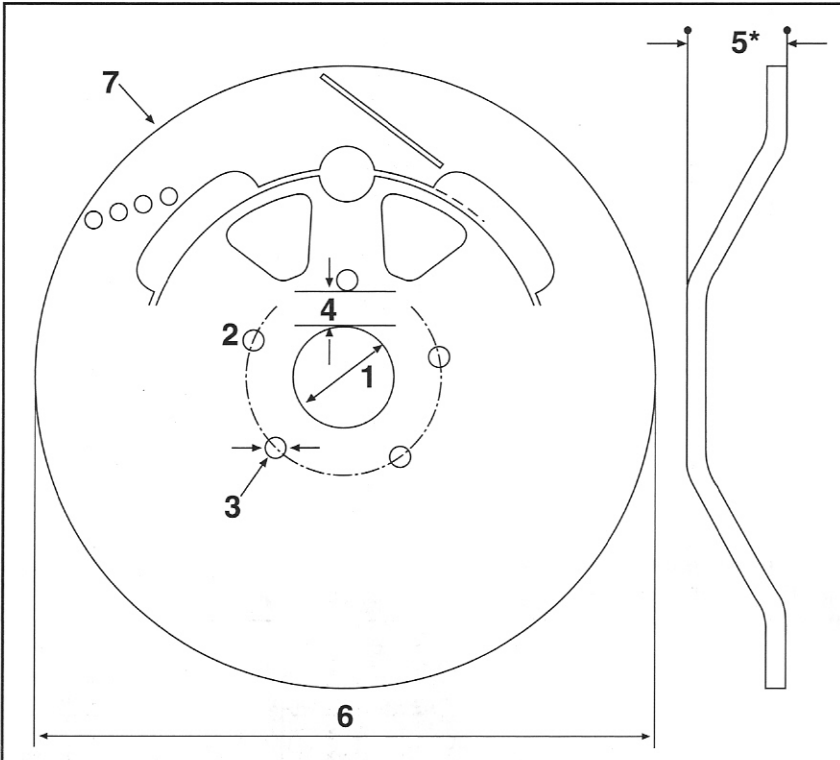
Bike Details: _____

Wheel Details: _____

E-mail: _____

No of Discs needed: _____

• DIMENSIONS OF DISC •

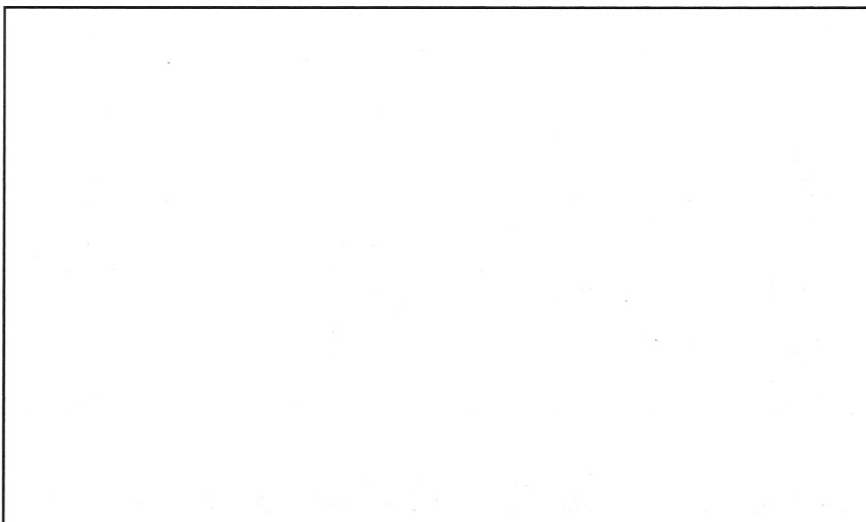


1	Bore Dia in mm	
2	No Holes in Hub	
3	Dia of Hub Holes in mm	
4	To determine PCD of Holes measure wall section only. <small>(From inside bolt hole to inside carrier bore)</small>	
5	Offset in mm	
6	Dia of Disc in mm	
7	Thickness of Disc in mm	
RACE USE		
STREET USE		

* Measured from back of hub abutment face to front of disc rotor.

RACE/SPECIAL ROTORS & CALLIPERS

OUTLINE OF BRAKE PADS TO BE USED WITH DISC



For EBC use only

Disc #	
Price ea	
Delivery Time	
Method of Shipment	
Method of Payment	